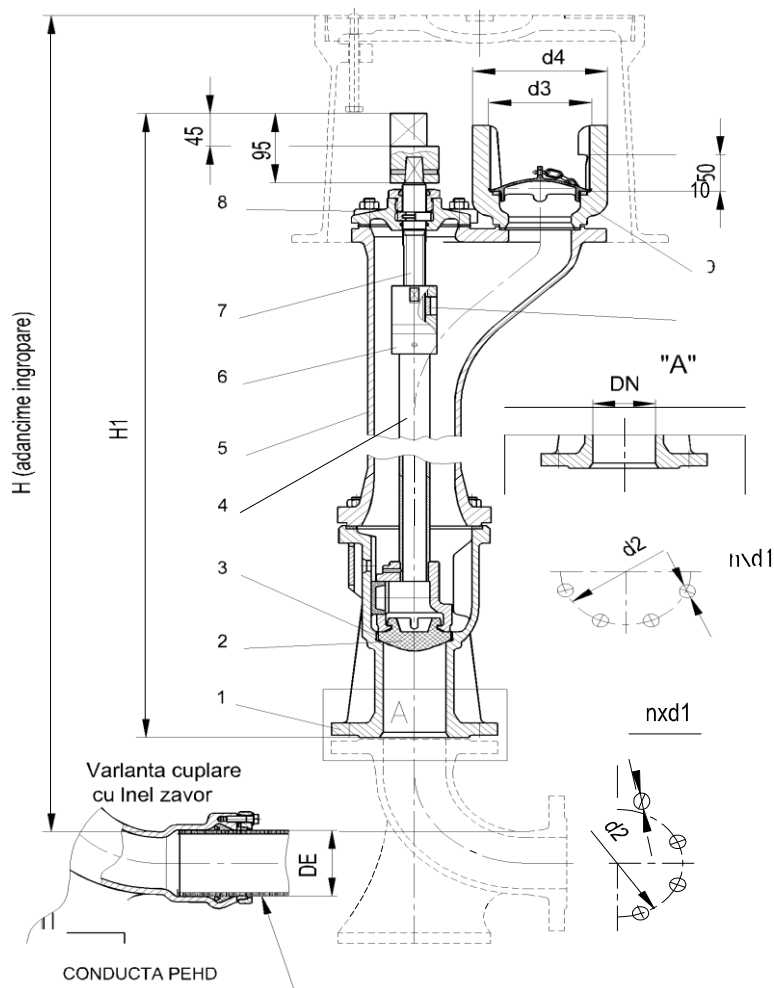


HIDRANT SUBTERAN TIP HS Pn10, Dn65, 100



| POZ. | REPER | MATERIAL | |
|------|---------------------|-------------------|--------------|
| | | TIP | SIMBOL |
| 1 | Cutie obturator | fonta cenusie | EN-GJL-250 |
| 2 | Obturator | cauciuc | EPDM sau NBR |
| 3 | Inel | aliaj Cu | - |
| | | fonta cenusie | EN-GJL-250 |
| 4 | Teava de legatura | otel carbon | - |
| 5 | Corp | fonta cenusie | EN-GJL-250 |
| 6 | Suport piulita | fonta cenusie | EN-GJL-250 |
| 7 | Tija | Inox min. 11,5%Cr | - |
| 8 | Capac | fonta cenusie | EN-GJL-250 |
| 9 | Racord ghiara | fonta cenusie | EN-GJL-250 |
| 10 | Piulita tije | aliaj Cu | - |
| | Garnituri | cauciuc | EPDM sau NBR |
| | Organe de asamblare | otel carbon | - |

(dimensiuni in mm)

| DN | DE PEHD | Dimensiuni de gabarit | | | Dimensiuni flansa legatura retea | | Dimensiuni racord ghiara | | Masa neta (= kg) | | | |
|-----|------------|------------------------|--------|------|----------------------------------|-----|--------------------------|---------|------------------|----------------|-----|-----|
| | | DN flansa racord retea | H | H1 | nxd1 | d2 | d3 | d4 | Hidranta | Cutie protecti | Cot | |
| 65 | 75 95 | 65 | 1000 | 730 | 4x19 | 145 | 90 | 11548.0 | 44.5 | 30.7 | 16 | 2.8 |
| | | | 1250.9 | 80 | | | | | | | | |
| | | | 1500 | 1230 | | | | | | | | |
| | | 80 | 1000 | 730 | 8x19 | 160 | 90 | 11549.2 | 45.2 | | | |
| | | | 1250.9 | 80 | | | | | | | | |
| | | | 1500 | 1230 | | | | | | | | |
| 100 | 110 125 | 100 | 1000 | 730 | 8x19 | 180 | 128 | 15076.0 | 70.5 | 46.5 | 27 | 3.2 |
| | | | 1250.9 | 80 | | | | | | | | |
| | | | 1500 | 1230 | | | | | | | | |

NOTA: Pentru detalii complete despre acest produs va rugam sa ne contactati